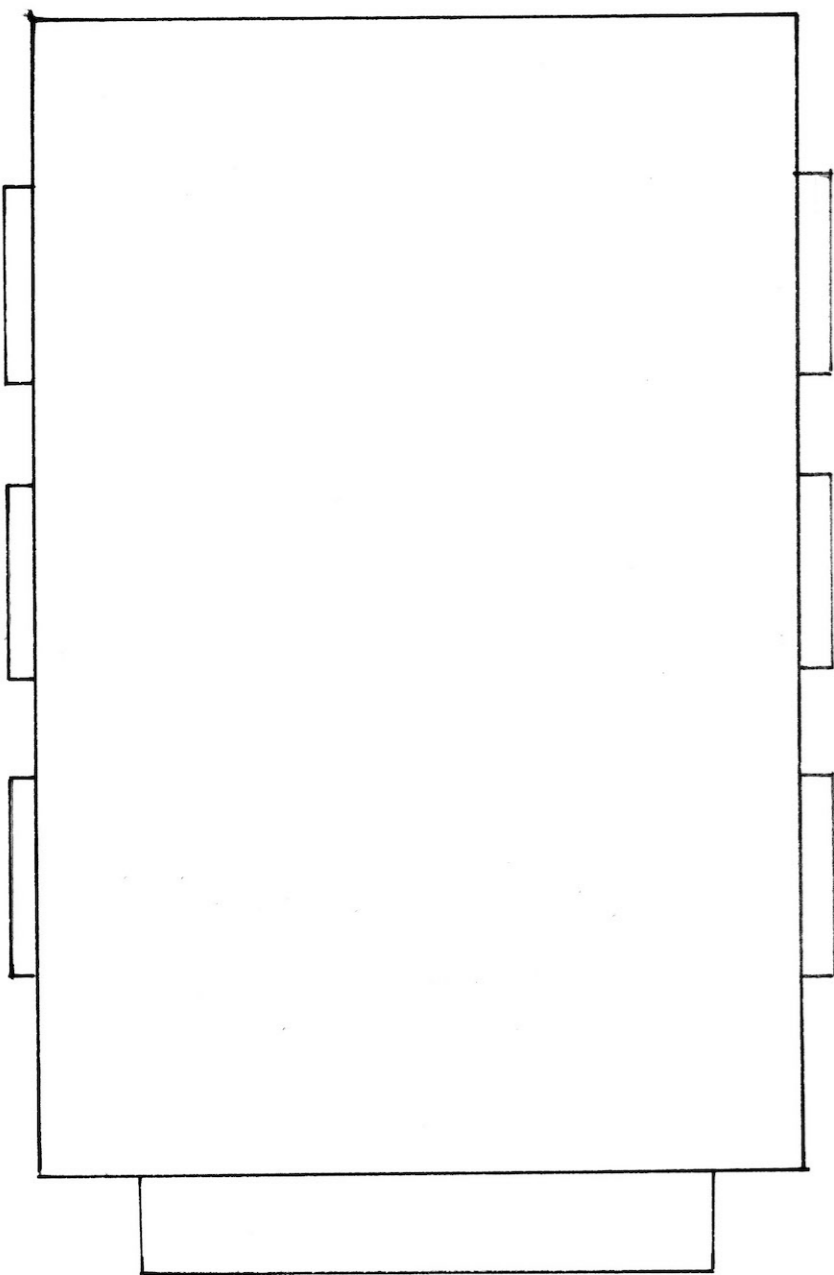


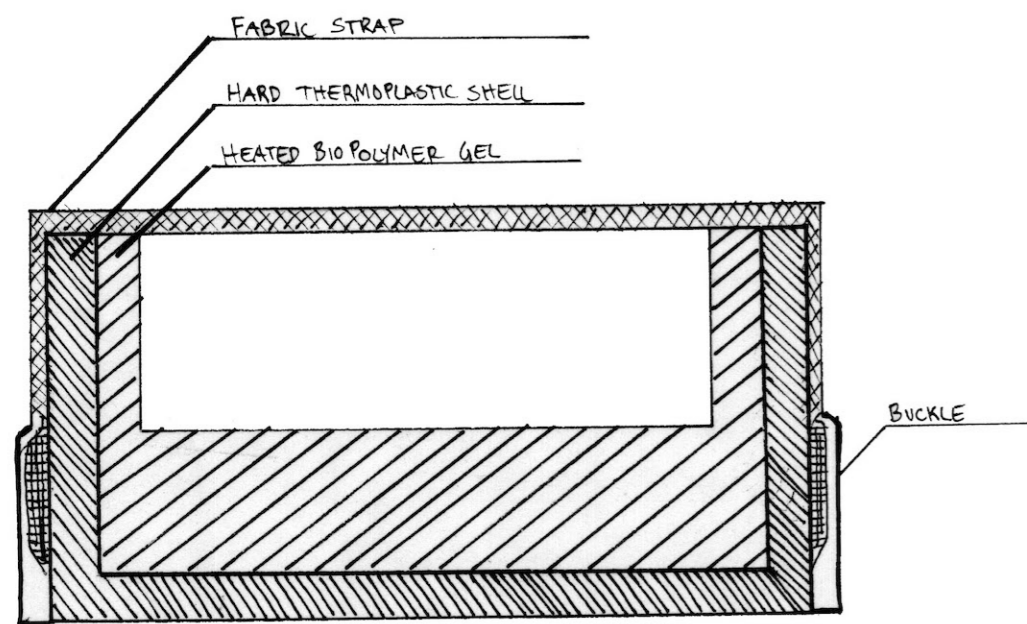
CARE CRIB

ENVY 1010-12 • OCTOBER 5, 2021 • A04.6

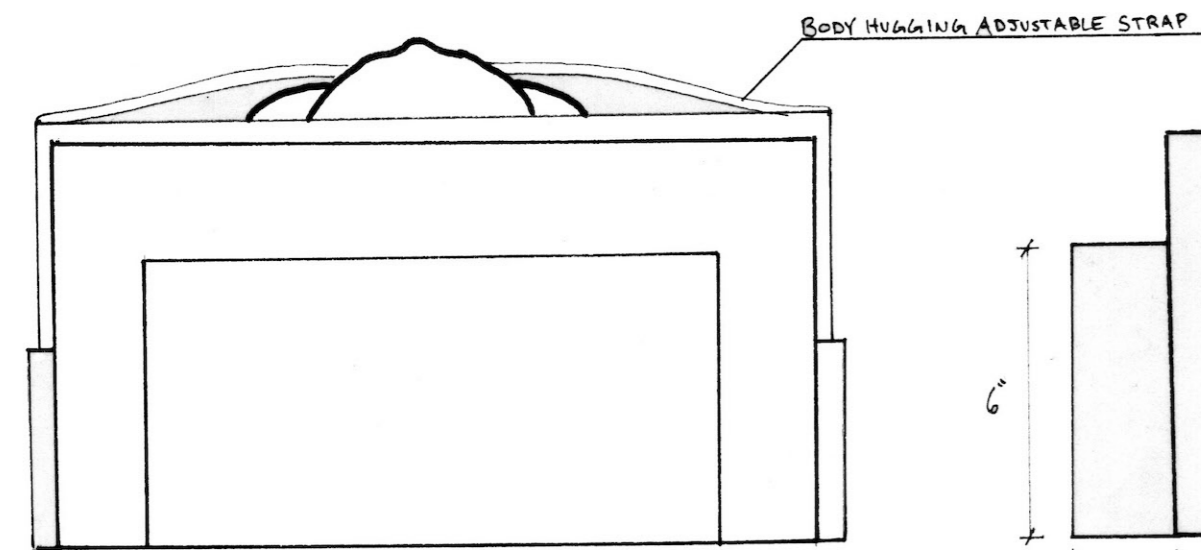
TECHNICAL DRAWINGS • RILEY MEHAN •



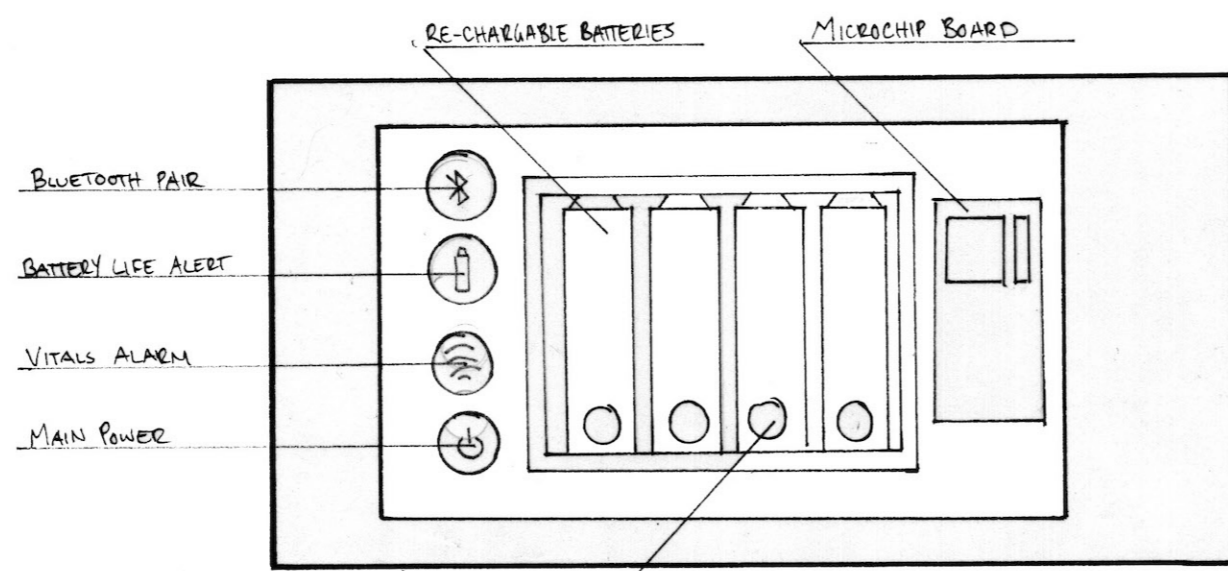
BOTTOM PLAN
SCALE: 1:4



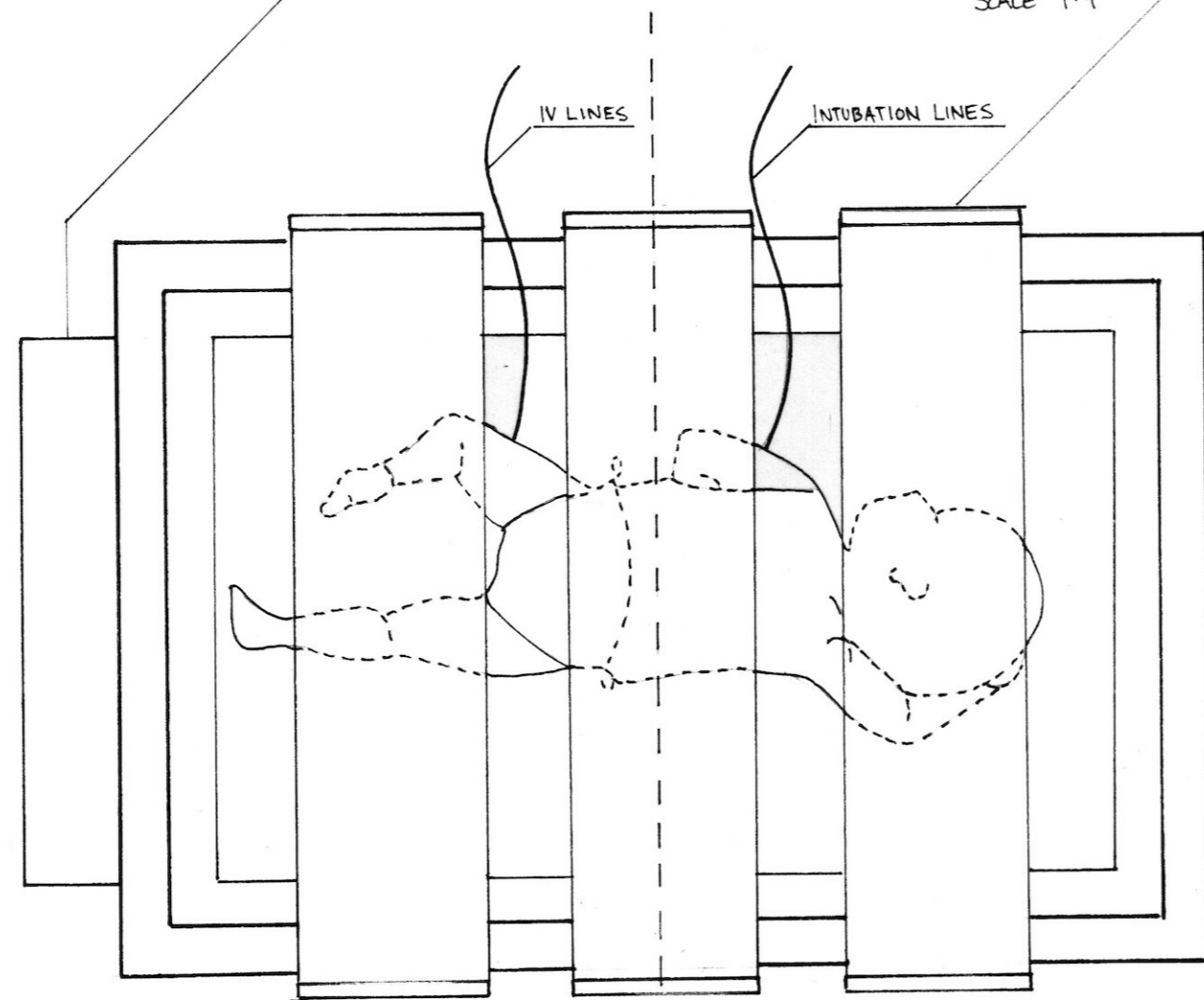
SECTION
SCALE: 1:4



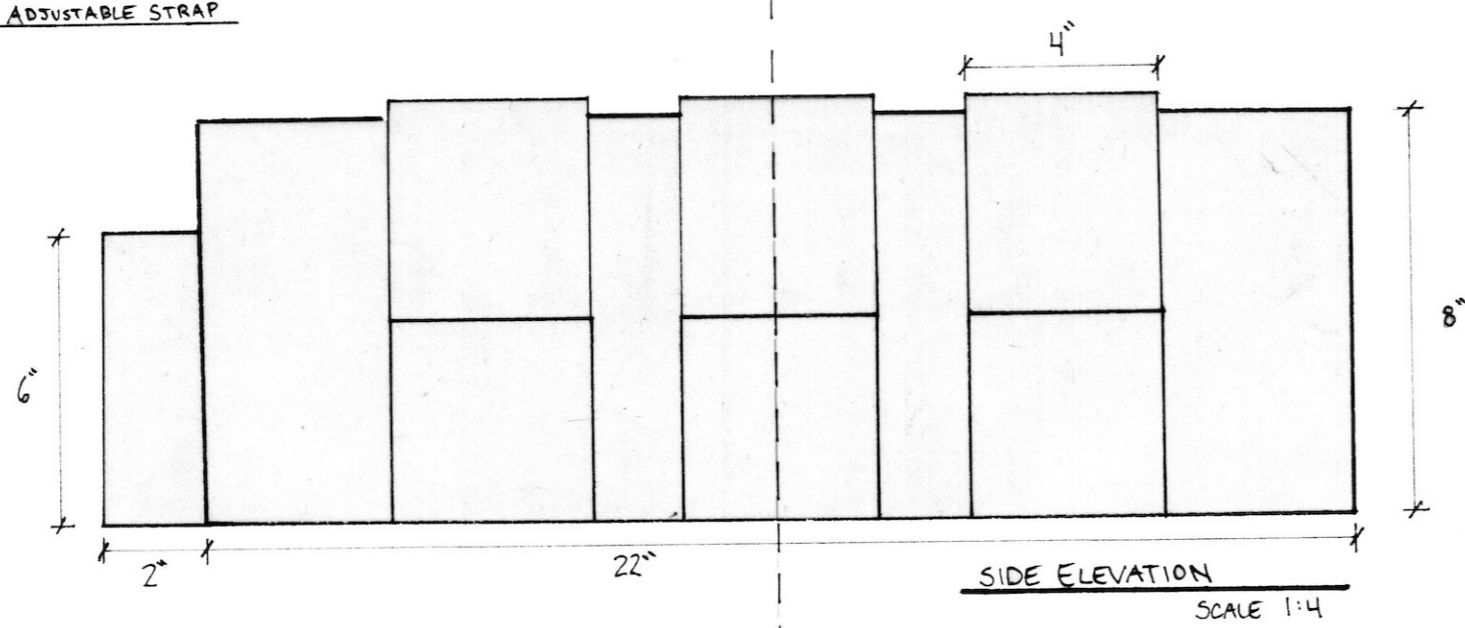
FRONT ELEVATION
SCALE: 1:4



BATTERY PACK
SCALE: 1:4

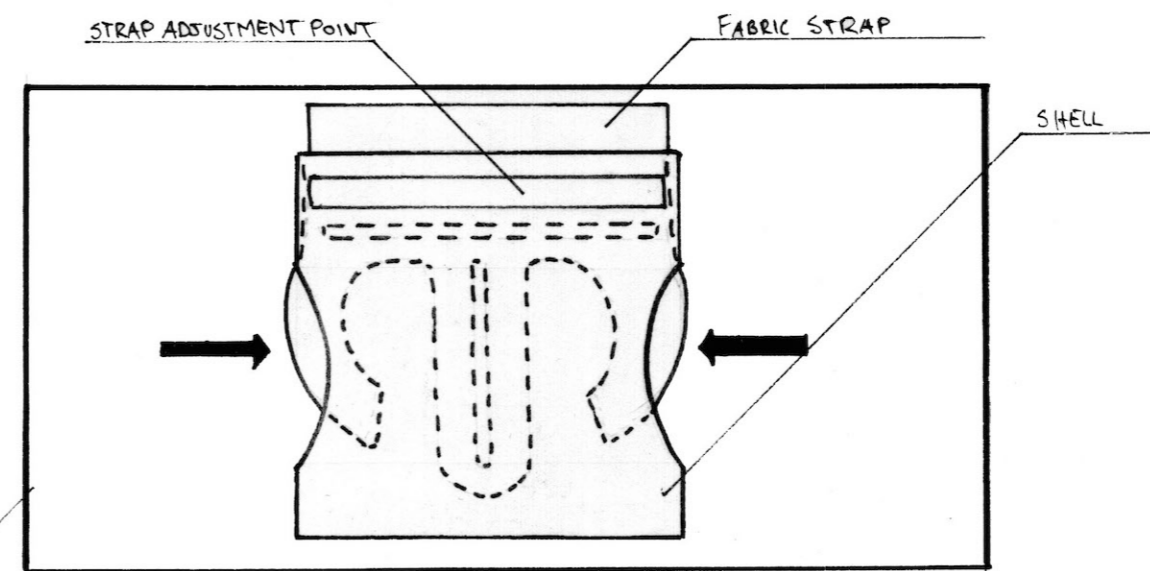


TOP PLAN
SCALE: 1:4



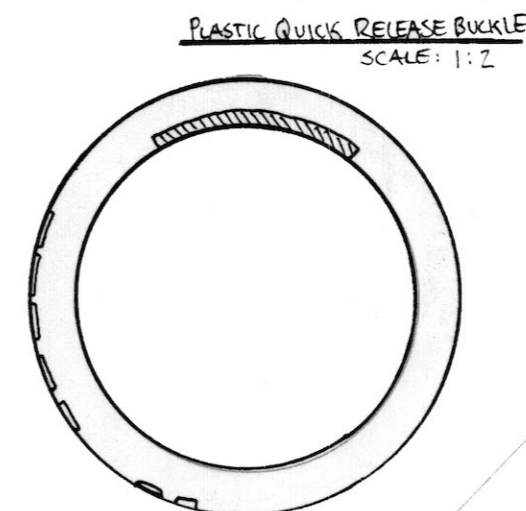
SIDE ELEVATION
SCALE: 1:4

SECTION CUT LINE



STRAP ADJUSTMENT POINT
FABRIC STRAP

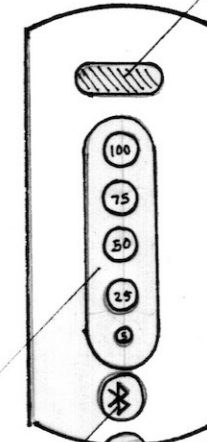
SHELL



FRONT ELEV.

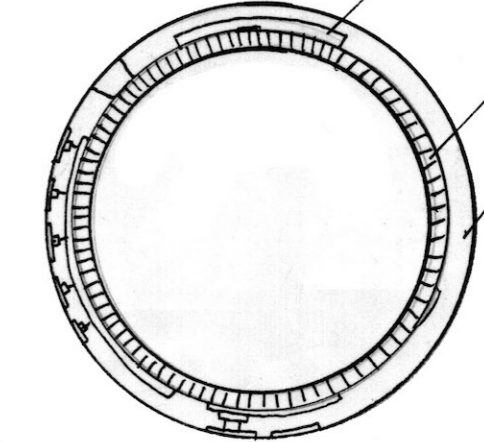
PLASTIC QUICK RELEASE BUCKLE
SCALE: 1:2

BATTERY LIFE LIGHTS
BLUETOOTH PAIRED LIGHT
BLUETOOTH RESET/PAIR BUTTON



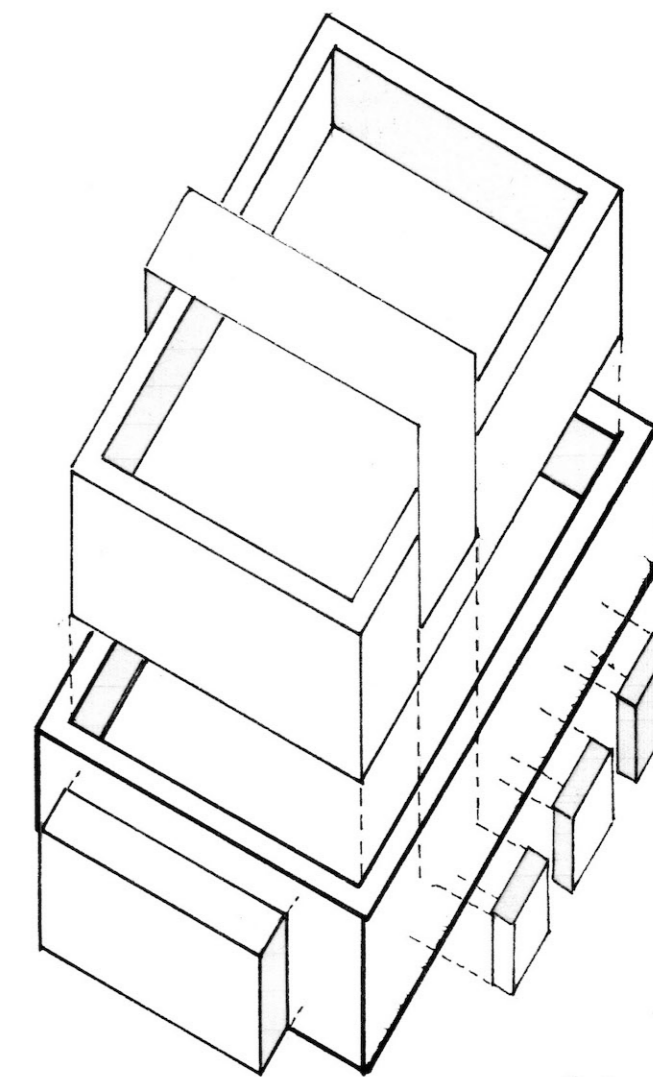
SIDE ELEV.

BATTERY CHARGING PORT

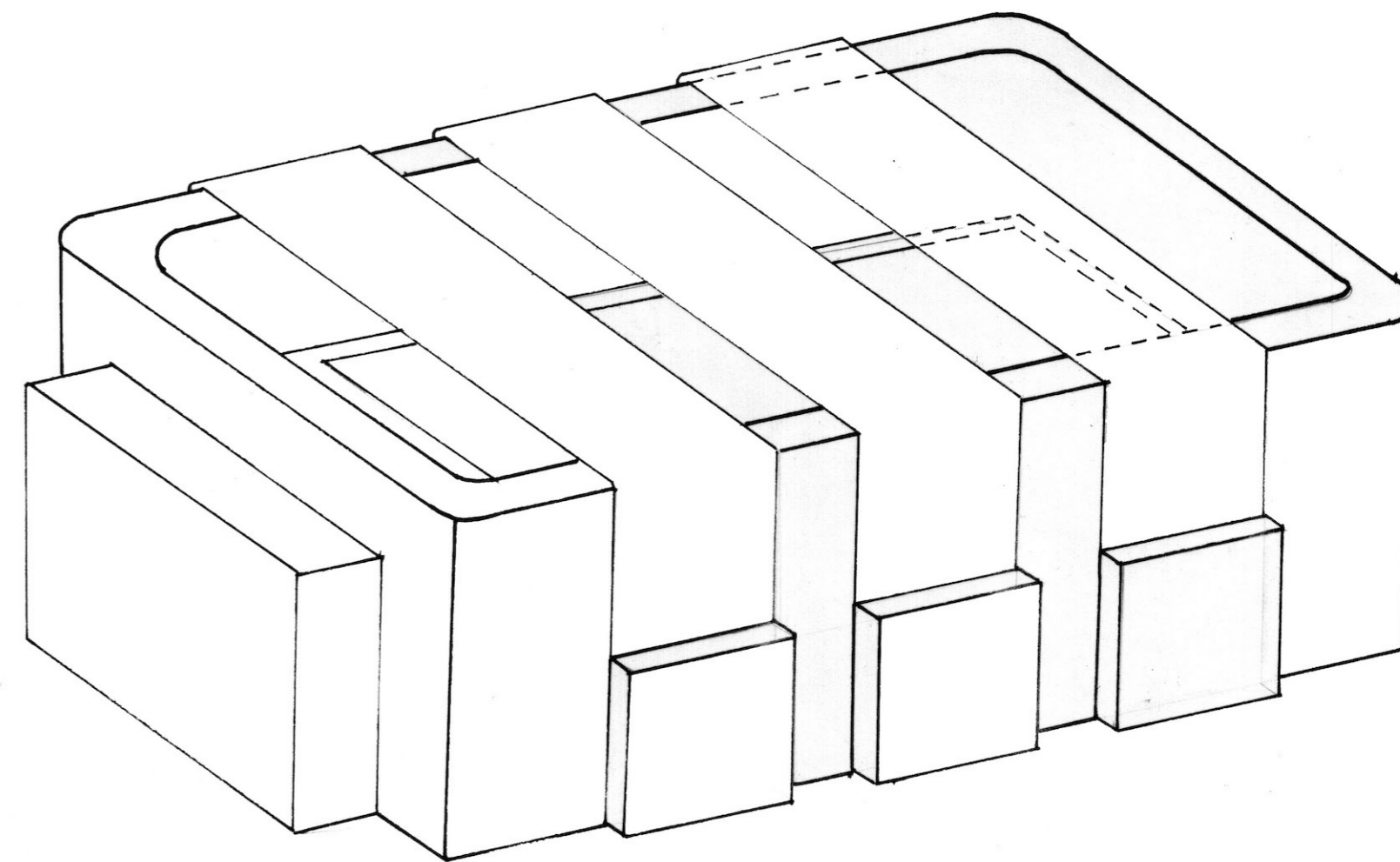


HEART BEAT RING
SCALE: 2:1

HEART BEAT SENSOR/STIM PAD
LITHIUM BATTERY
EXPANDABLE RUBBER



EXPLODED
SCALE: 1:8



OBLIQUE
SCALE: 1:4





